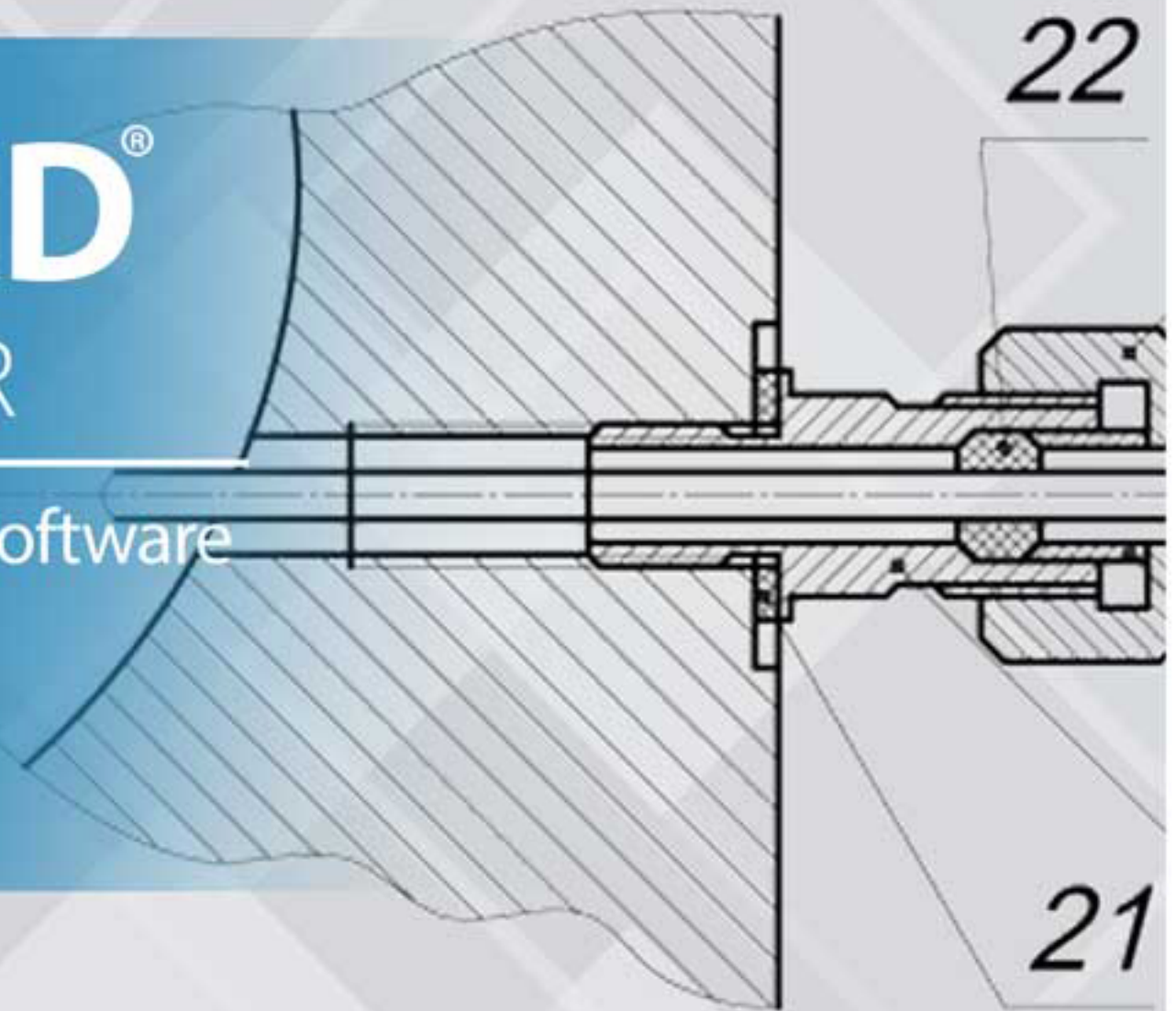




TurboCAD® 2019 DESIGNER

Advanced 2D/3D CAD Software

\$59.99



TurboCAD® 2019 Designer is a great precision design software option for new CAD users. Use the setup wizard, tutorials and context-sensitive help to immediately get productive in creating 2D designs and plans. Quickly draw, modify, dimension and annotate floorplans, technical illustrations and more. Drawings can be published to PDF, shared in industry-standard AutoCAD® DWG and DXF formats or saved in many other popular CAD and graphics formats.

Ready to Use 2D CAD for Beginners — TurboCAD Designer is a 2D CAD product which is easy to learn and use with quick access to hundreds of 2D drawing, modifying and dimensioning tools that are perfect for designing floor plans, technical illustrations, flow charts and more. You can even share your work in over 20 industry-standard CAD & graphic file formats including the latest AutoCAD® DWG, DXF formats.

Complete 2D Drafting & Detailing — Including dozens of drawing, modifying, dimensioning, and annotation tools.

Easy to Learn & Use - Thanks to our video getting started guide, context sensitive help and flexible UI with beginner, intermediate and advanced modes.

New Features — Over 10 new and improved features have been added in TurboCAD Designer 2019, including:

Customizable Ribbon Interface - Users now have the ability to fully customize the Ribbon Interface. You can now Add and Rename Tools, Groups and Tabs.

KEY FEATURES

Flexible User Interface Display tools with full explanations in the beginner mode. Switch to intermediate or expert mode to gain screen space as you become more familiar with TurboCAD.

Setup Wizard - Breeze through questions designed to help you define your drawing's size and orientation, units of measurement, printing scale and viewpoints.

Dimension Tools - Include Smart, Quick and Baseline which allow you to dimension automatically and more!

Pick Point & Path Hatching, Bitmap Fills, and Transparency - TurboCAD allows for hatch patterns and gradients to be layered with transparency. Custom bitmaps, such as your company logo, may be used well.

Handle-Based Editing - Save time and draw and edit more accurately and quickly. When selecting objects, TurboCAD draw provides handles for scaling, rotating, moving and aligning objects.



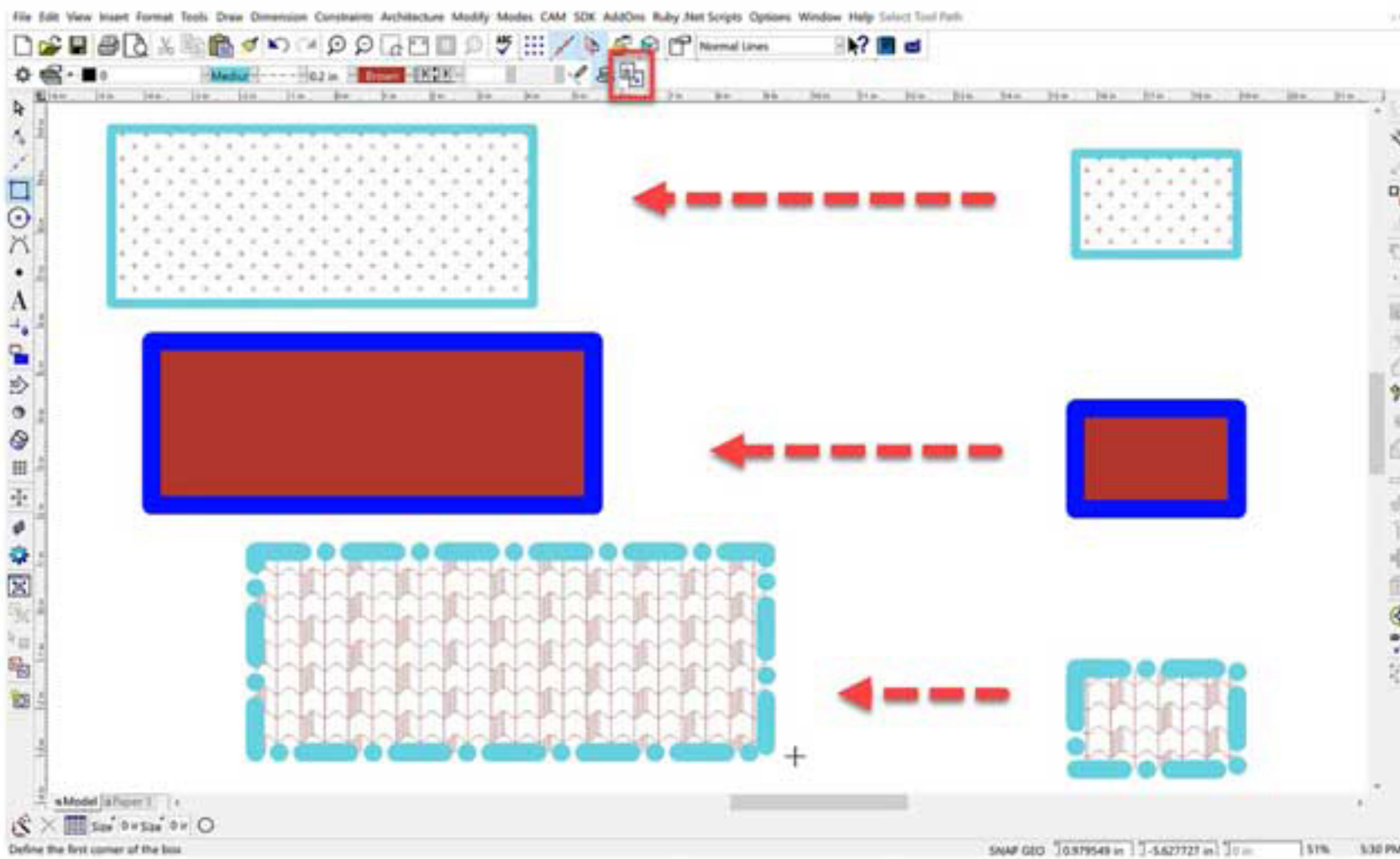
Phone: 415.483.8000
www.TurboCAD.com
384 Bel Marin Keys Blvd
Suite 150, Novato, CA 94949

Order online at:
www.TurboCAD.com
or call: 1.800.833.8082

In addition, Tabs may be hidden or renamed, and manually created XML Config files can be directly imported into TurboCAD. UI Themes are also full supported in the Ribbon.

4K Monitor Support - With new, scaleable vector icons, TurboCAD is now fully optimized for 4K monitors. Through dynamic sliders, toolbar icons, the User Interface and other icons in other part of the UI can be resized to optimize readability on higher resolution displays.

Construct Similar Tool - This tool which takes properties from a referenced object and applies these to the construction of the next object. The Construct Similar tool provides a fast and efficient method to assign object properties such as line fonts, dimension styles, and wall properties with a single click.



PDF /Insert / Underlay – TurboCAD 2019 now allows you to insert a page of a PDF file into your drawing to use as reference or tracing layer.

Pick Point Hatch - Pick-Point-Hatch now works with gaps in 2D objects. For example, trying to fill an area bounded by a Polyline, when there are gaps in the Polyline. Improvements to pick-point also apply to ADT objects (Walls, Doors and Windows), allowing to similarly fill in gaps between these objects.

Named View Enhancements – Now Paper Space can be manipulated using Named View.

....and more!

KEY FEATURES

Powerful UI & Performance- If you're new to TurboCAD 2019 Professional, features like the fully customizable interface, including an optional AutoCAD-like 20 drafting interfaces, can help you get started. Save more time with handle-based editing and multi CPU, multi-threaded processing.

3D Surface Modeling- TurboCAD includes a complete set of 3D surface modeling and editing tools making it ideal for both single part and small assembly mechanical designs.

2D Geometric and Dimensional Constraints - Often referred to as variational sketching, the D-CubedT 2D DCM constraint manager from Siemens Industry Software Limited adds precision and productivity. By setting up constraints, TurboCAD users have greater control to enforce design intent, and may very quickly modify a design.

USER REVIEWS

"As a Realtor I have found TurboCAD Designer to be the perfect tool for drawing scaled floor plans. It is easy to use and allows me to quickly generate the scale drawings for our clients."

— **AIB.**

"Works great! The price of the program is very reasonable for a 2D program, which is what I needed."

— **Mark F.**

"Thank you, TurboCAD, I find that using this drafting tool accommodates my needs now and offers the depth to be able to learn and expand my drafting abilities."

— **Frank H.**

USER REVIEWS

"TurboCAD performs flawlessly for our needs. It is an indispensable tool for our company."
— **AID.**

"TurboCAD is excellent and affordable. I first used it 20 years ago, and even that version did all I needed."
— **Kurtz.**

SYSTEM REQUIREMENTS

64-bit: Desktop or laptop PC; Microsoft Windows 10, 8, or 7 (64-bit); 8 GB RAM; 1 GHZ 64-bit (x64) CPU processor.

32-bit: Desktop or laptop PC; Microsoft Windows 10, 8, or 7; 4GB RAM; 1 GHZ 32-bit (x86) CPU processor.

Recommended: 16 GB RAM or higher; faster CPU.